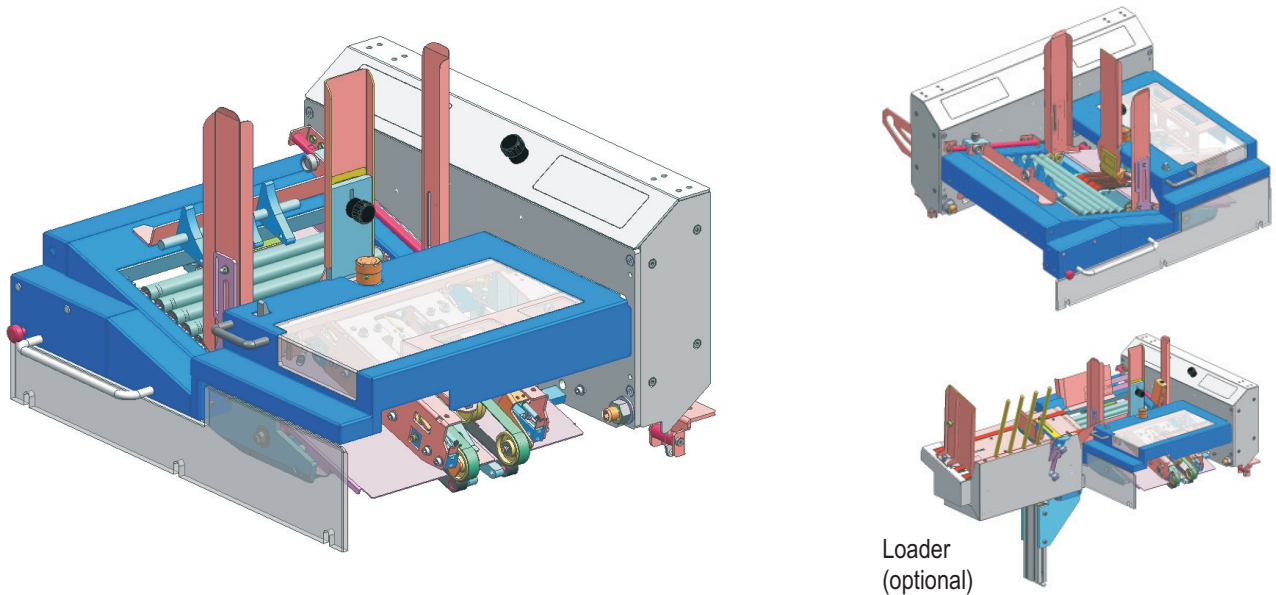


Versatile feeder technology - Catalogue feeder with loader



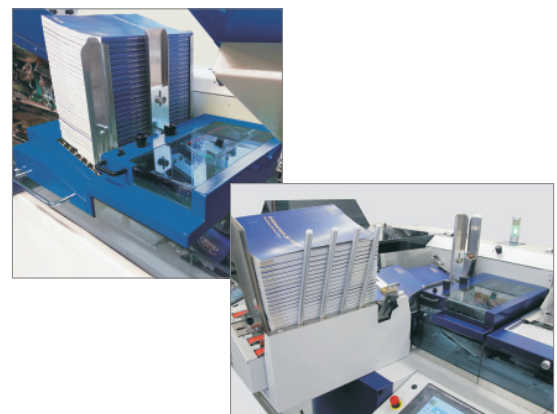
Versatile applications for different requirements are the strength of our feeders. Fast and reliable feeding is always guaranteed. The suitable technology makes sure that a large variety of materials and formats can be processed.

Thick or thin products, glossy or matt surfaces, single cut sheets or signatures, open or closed edges, cards or brochures are no problem for the feeding systems from MB Bäuерle. No matter whether the feeder magazine is full or whether only a few products are left - separation is functioning smoothly. This is made possible by a principle that creates optimal conditions during separation.

With the catalogue feeder, even documents with a product thickness of up to 15 mm can be handled without difficulties. It is therefore possible to process a very large range of materials. As an option, the catalogue feeder can also be equipped with a loader, thus ensuring a continuous and trouble-free feeding of the material.

Specifications:

Paper size:	max. 305 x 216 mm min. 130 x 100 mm
Product thickness:	max. 15 mm
max. stacking capacity:	300 mm (depending on material)
Speed:	max. 23,000 cycles/h



AUTOMATION FOR EFFICIENCY. ■

Catalogue feeder with loader



>> DIMENSIONS

